



- Easy access for product gauging or sampling
- "Quik-Clamp" option allows for hands-free operation
- Available in sizes from 4" to 12"
- Materials of construction include aluminum, steel & 316SS
- Teflon diaphragm ensures safe tight seal
- Spark-proof design and teflon diaphragm ensures safe tight seal

The Shand and Jurs Model 95021 Gauge Hatch

The Shand & Jurs Model 95021 Gauge Hatch is designed to provide easy access to storage tanks for gauging product level or temperature and product sampling.

It is available in a range of sizes from 4" through 12", and can be ordered with one of the two optional clamp covers. The hatch without the clamp option can be used as a supplemental pressure relief vent. Standard set pressure, without loading weights, varies depending upon size and material. Maximum working pressure for the clamped cover versions is 3.0 psi.

The standard hatch features a foot opening cover, flexible sealing member and tape gauge marker.

Clamp down covers are available in either the traditional screw-down or the revolutionary "Quik-Clamp" Cam Lock. The "Quik-Clamp" allows the operator to open the hatch with his feet, eliminating the need to remove work gloves or set down hand tools. This feature is also very useful in cold environments or when dealing with hazardous products.

Materials of construction include aluminum, steel, 316 stainless steel and bronze.



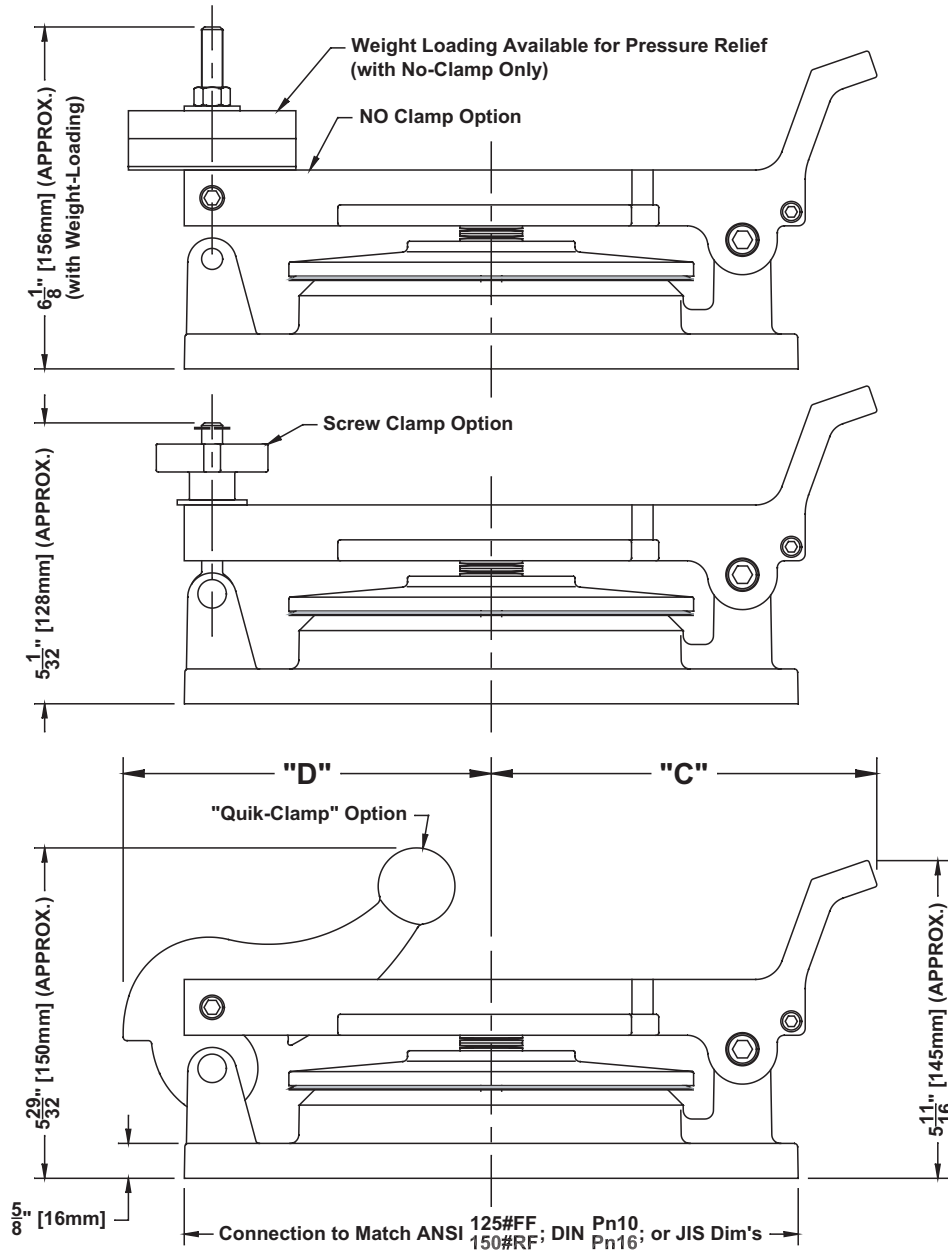
UK Distributor

t: +44 (0)1388 813433

f: +44 (0)1388 813307

sales@orangecounty.co.uk

www.orangecounty.co.uk

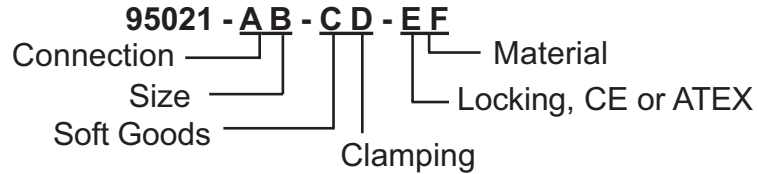


8 $\frac{29}{32}$ " [226mm]	8" [203mm]
7 $\frac{29}{32}$ " [201mm]	6 $\frac{3}{4}$ " [171mm]
6 $\frac{29}{32}$ " [175mm]	5 $\frac{1}{2}$ " [140mm]
5 $\frac{29}{32}$ " [150mm]	4 $\frac{1}{2}$ " [114mm]
"C"	"D"

All designs subject to change. Certified dimensions and specifications available upon request

MODEL NUMBER SELECTION:

The model number will consist of a base number 95021 followed by three 2 digit numbers which represent the options listed in the following tables.



ORDERING INFORMATION

Specify:

1. Model 95021 Gauge Hatch
2. Size
3. Connection Type*
4. Clamping Cover Style
5. Material
6. Locking Option
7. Specify CE for Ordinary EU Locations use Table E2 and E3
8. ATEX Certification for Group IIB, IIA EU Locations, use Table E4 and E5

*NOTE: Threaded adaptors are available for all sizes.
Please consult the factory for pricing and availability.



TABLE I - CONNECTION

OPTION # (A)	DESCRIPTION
0	FF BOLTED 150# ANSI
1	FF UNDRILLED 150# ANSI
2	* RF BOLTED 150# ANSI
3	FF BOLTED DIN PN 16
4	* RF BOLTED DIN PN 16
5	FF BOLTED JIS 10K
6	* RF BOLTED JIS 10K
7	STEEL, NPT
8	AL., NPT
9	S.S., NPT

*RF not available in AL material.

TABLE I - SIZE

OPTION (B)	SIZE
1	4"
2	6"
3	8"
4	10"
5	12"

TABLE II SOFTGOODS

OPTION (C)	DESCRIPTION
0	FEP TEFLON WITH N8090 BACK-UP DISK
1	FEP TEFLON WITH FLOURGOLD BACK-UP DISK
2	VITON (BACKUP DISK NOT REQUIRED)
3	BUNA (BACKUP DISK NOT REQUIRED)
4	EPDM (BACKUP DISK NOT REQUIRED)
5	TCF WITH FLOURGOLD BACK-UP (FOR HI TEMP 500 F MAX)

TABLE II - CLAMPING TYPE

OPTION (D)	DESCRIPTION
0	UNCLAMPED
1	SCREW DOWN
2	QUICK CLAMP
3	UNCLAMPED SIDE MOUNT

TABLE III - LOCKING PROVISIONS

OPTION (E)	DESCRIPTION
0	STD. NO LOCK
1	LOCKING ON QUICK CLAMP ONLY
2	CE AND NO LOCK
3	CE AND LOCK QUICK CLAMP
4	ATEX CERTIFIED - NO LOCK
5	ATEX CERTIFIED - LOCK QUICK CLAMP

**TABLE III -
BODY MATERIAL**

OPTION (F)	BODY MATERIAL
0	STEEL
1	ALUM
2	SS
3	BRONZE



UK Distributor

t: +44 (0)1388 813433
f: +44 (0)1388 813307
sales@orangecounty.co.uk
www.orangecounty.co.uk