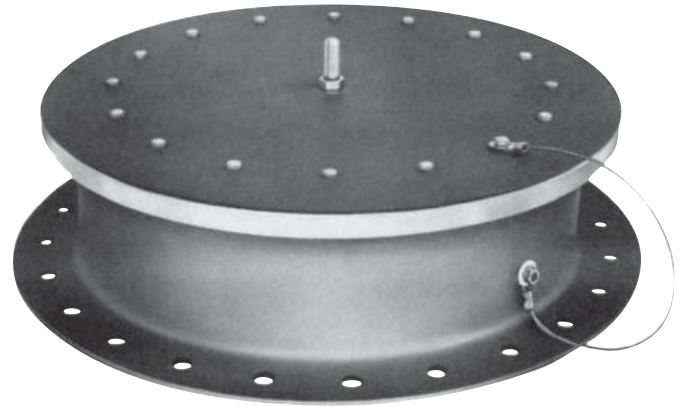


94200 Emergency Vent and Manhole Cover

The Shand & Jurs 94200 Emergency Vent and Manhole Cover is an economical solution to present day emergency venting requirements. It is designed to relieve excessive internal pressure in liquid storage tanks. Its economical price provides excellent protection against costly tank roof rupture repair. The sizes are 16", 20", 24", 30" and 36" ANSI connections and 20" and 24" API roof manhole connections.

The 94200 is available with low base for liquid overflow. When specified, elongated guides and special stops can be provided to limit pallet lift. The pallet guide is deep enough to assure proper reseating of pallet after pressure relieving at lower overpressures. Pallet will reseal when tank pressure drops below set pressure.

For tank venting or examination, the pallet may be removed off its base offering a clear unobstructed passage. A retaining cable is provided to fasten the pallet to the base.



Features

- Easy installation, convenient handling
- Tank examination requires no gasket replacement or unbolting
- Manhole opening available in 16", 20", 24", 30", & 36"
- Materials include Aluminum, Steel & 316 Stainless Steel

	UK Distributor t: +44 (0)1388 813433 f: +44 (0)1388 813307 sales@orangecounty.co.uk www.orangecounty.co.uk
--------------------------------------------------------------------------------------	-------------------------------------------------------------------------------------------------------------------------------

Specifications

Pressure Setting:

Standard for Aluminum Pallet:
16" - 24" - 0.865 oz./in.²; 30" & 36" - 1.1 oz./in.²
Standard for Stainless Steel & Carbon Steel Pallet:
16" - 1.6 oz./in.²; 20" - 36" - 1.5 oz./in.²

Standard Maximum:
6.0 oz./in.² for 24" - 36" size
8.0 oz./in.² for 16" & 20" sizes
Higher settings available

Materials of Construction

Base:

Steel, Aluminum and 316 Stainless Steel available

Back-Up Disc:

Reinforced fiber composition

Diaphragm Seat:

Same as base, Inlaid Stainless Steel on Steel base

Pallet, Retainer, Guide:

Aluminum, Steel or 316 Stainless Steel

Diaphragm:

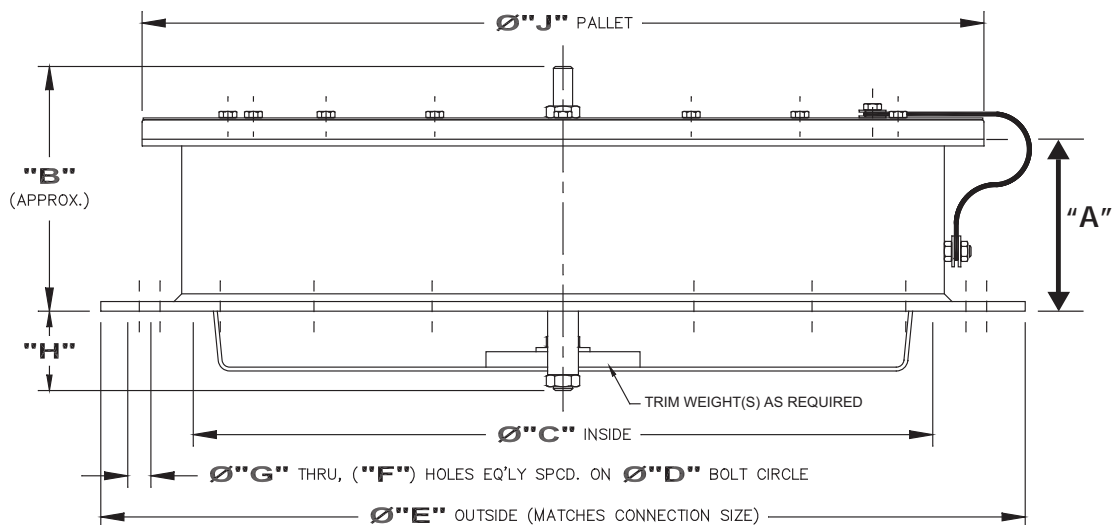
FEP Teflon, PTFE, Viton, or BUNA

Alternate materials of construction available on request.

Dimensions

Vent Size	Connection Matching Size	"B" Note 1	"C"	"D" Bolt Circle	"E"	"F" Holes	"G"	"H" Max	"J" Pallet
16"	16" 125#/150# ANSI	8 5/16	16	21 1/4	23 1/2	16	1 1/8	0	18 3/4
20"	20" 125#/150# ANSI	9 1/4	20	25	27 1/2	20	1 1/4	3	23 5/16
20"	24" 125#/150# ANSI	9 1/4	20	29 1/2	32	20	1 3/8	3	23 5/16
24"	24" 125#/150# ANSI	9 1/4	24	29 1/2	32	20	1 3/8	3	27 5/16
30"	30" 125# ANSI	9 1/4	30	36	38 3/4	28	1 3/8	5	33 5/8
36"	36" 125# ANSI	9 1/4	36	42 3/4	46	32	1 5/8	7	40 3/4
20"	20" API Roof Manhole	9 1/4	20	23 1/2	26	16	3/4	3	23 5/16
20"	24" API Roof Manhole	9 1/4	20	27 1/2	30	20	3/4	3	23 5/16
24"	24" API Roof Manhole	9 1/4	24	27 1/2	30	20	3/4	3	27 5/16

"A" = 6 1/4" for High and Limited Lift Base "A" = 2 1/8" for Low Base "H" = 3 1/2 for Low Base
NOTE 1. ACTUAL HEIGHT DEPENDANT ON SET POINT.



All designs subject to change. Certified dimensions and specifications available upon request

